


# Ground Spot Serie

Architectural/commercial line

2 year warranty

**GROUND SPOT Ø120MM SINGLE COLOR**



Detail module:

Lens: 40°  
W: 6500k  
WW: 3150k

140-023(W)  
140-024(WW)



**GROUND SPOT Ø120MM RGB**



Detail module:

Lens: 40°  
RGB

140-022



Groundspot Ø120mm with universal 2,5 Watt module, waterproof driver included. 230 Volt. 2 meter rubber cable included. Adjustable.

Groundspot Ø120mm with stainless steel 3-in-1 RGB spot 3 Watt, 24 Volt (140-000). 2 meter rubber cable included. Not adjustable.

**GROUND SPOT Ø150MM SINGLE COLOR**



Detail module:

Lens: 40°  
W: 6500k  
WW: 3150k

140-033(W)  
140-034(WW)



**GROUND SPOT Ø150MM RGB**



Detail module:

Lens: 40°  
RGB

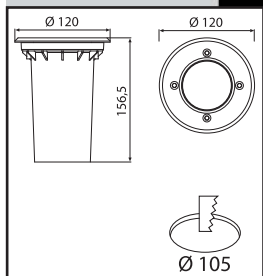
140-032



Groundspot Ø150mm with HP module 7,5 Watt, waterproof driver included. 230 Volt. 2 meter rubber cable included. Adjustable.

Groundspot Ø150mm with HP RGB spot 7,5 Watt, 24 Volt. 2 meter rubber cable included. Adjustable.

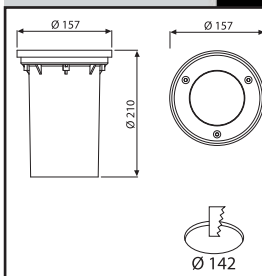
## UNIVERSAL GROUND SPOT



140-020

GR-UV-50 Universal ground spot for led 12 volt MR16 or 230 volt GU10. The housing is made from die cast aluminium and the cover is stainless steel. Halogen spot lamp can be used up to 20 watt.

## UNIVERSAL ADJUSTABLE GROUND SPOT



140-030

GR-UV-50-ADJ Adjustable universal ground spot for led 12 volt MR16 or 230 volt GU10. The housing is made from die cast aluminium and the cover is stainless steel. Halogen spot lamp can be used up to 35 watt.

## CONNECTION BOX



142-006

CBOX-3W 3-Way connection box for cables from 6 to 10 mm.

## CONNECTION TUBE



142-007

CTUBE-2W 2-Way connection tube for cables from 6 to 10 mm.

## RGB LED CONTROLLER

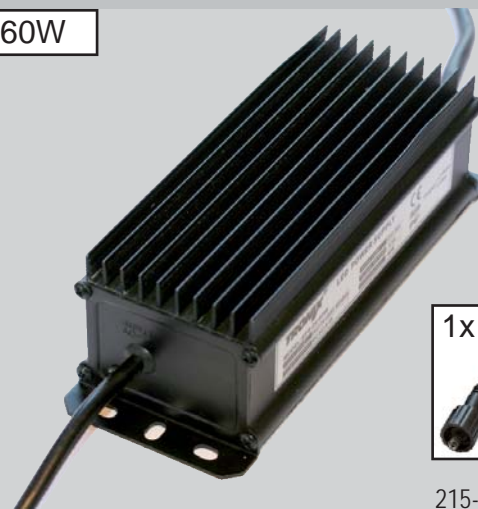


214-111

Controller with remote control for 12 and 24 Volt RGB LED-lighting.

## POWER SUPPLY

24V - 60W



1x

215-301

Switching 24 Volt, 60 Watt power supply with DC plug.